

SECUROPE ON HOT DECK
SECUROPE SUR BAC CHAUD
SECUROPE SOBRE HOT DECK
SECUROPE AUF WARM

Description:

A Hot Deck consists of a corrugated sheet covered by an insulating material and a membrane. The Multipost / Spotanchor attaches the life line to this surface securely.

The dimensions of the corrugated sheet can vary according to national construction legislations but are generally as follows:

- > Thickness of metal sheet: 0.75 to 1.25 mm.
- > Height of the corrugated sheet covering from 30 to 165 mm
- > The span of the corrugations may lie between 200 to 333 mm
- > The insulation is generally rockwool with a thickness between 80 and 160 mm.
- > The waterproof membrane is either bituminous, PVC, EPDM or TPO.

> The Multipost with 4 toggle bolts is used to fix the end anchors and the anchors in the curves.

The Spotanchors with 1 toggle bolt is used to fix intermediate anchors in straight section, see typical configuration on next page.

The toggle bolts are made of zinc coated steel size M10 x 300 mm, and can withstand a traction force of 20 KN.

The multipost have only 4 M10 threaded bars passing through insulation. This solution limits thermic bridge. Compared to classic post fixing, the Multipost configuration reduces the energy consumption of building. The prefabricated membrane facilitates the jobs for the roofers since they just have to glue two layers of membrane on a flat surface. The energy absorber LDV032 absorbs the dilation/contraction which occur on the hot deck.

The cable stays straight with a constant tension of 1,0 kN. The special design of the Multipost with toggle bolts reduces the loads on the steel deck in case of fall.

Technical specification:

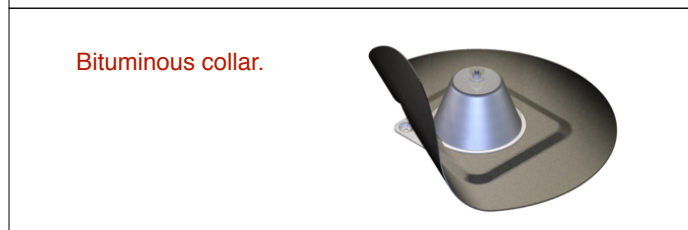
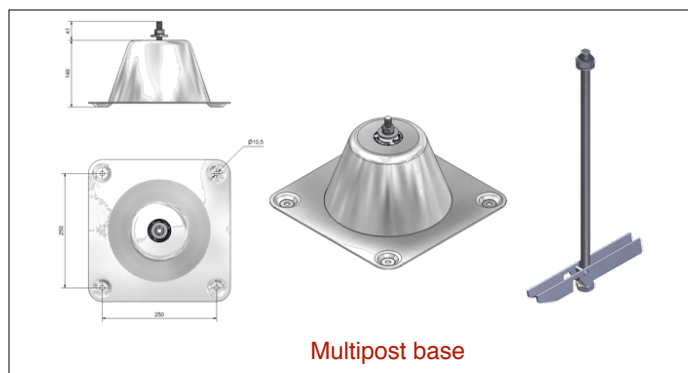
Delivered with an installer and user manual

Material: Stainless steel 304

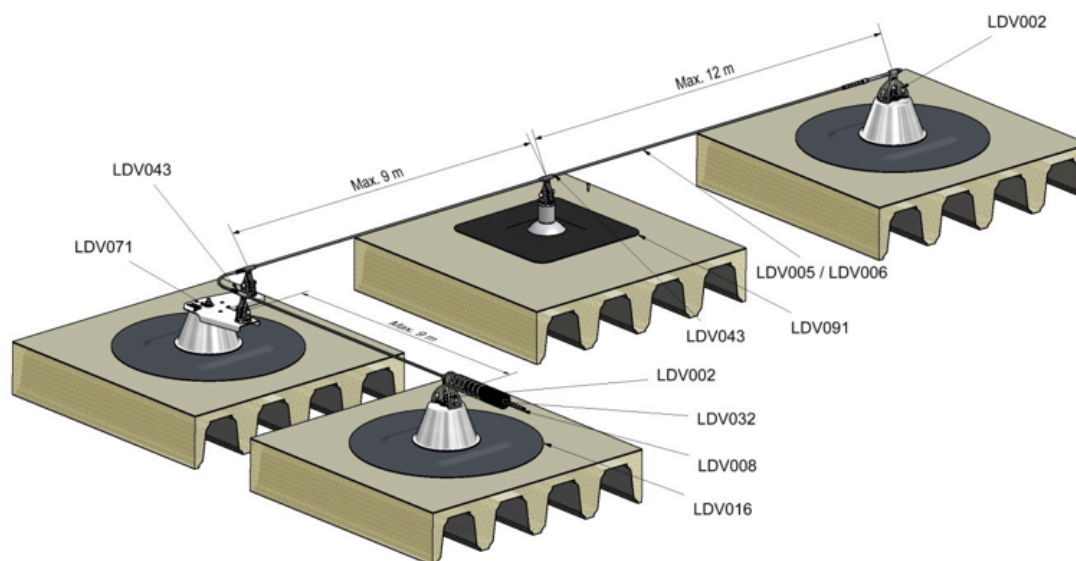
Compliant with EN795 Type C

MADE IN EU 

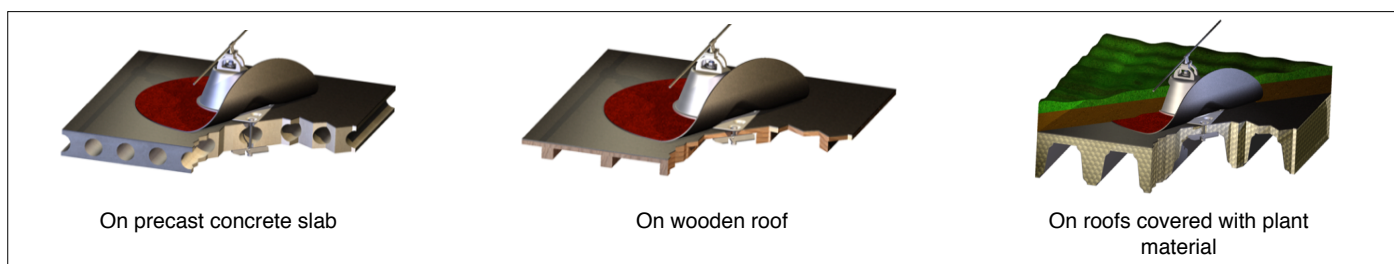
Test certificate n°AT6495104 



A competent person will check the strength of the structure in relationship with forces transmitted by the end and intermediate anchors when a fall is stopped. Fallprotec makes software available, approved by Apave, which works out the forces in accordance with the site configuration and the number of users.



Typical configuration: SecuRope lifeline on multipost



On precast concrete slab

On wooden roof

On roofs covered with plant material

Code N°	Weight	Description	Availability
LDV016 LDV017 LDV018	3,7 kg 3,7 kg 2,7 kg	Multipost standard height 110 m fitted with bituminous collar SS304 Multipost standard height 110 m fitted with PVC collar SS304 Multipost standard height 110 m fitted without collar SS304	Available from stock
LDV116 LDV117	3,7 kg 3,7 kg	Multipost standard height 145 m fitted with bituminous collar SS304 Multipost standard height 145 m fitted with PVC collar SS304	Available from stock
LDV019	2,25 kg	Multipost base height 100 mm with fittings SS304	Available from stock
LDV091	2,5 kg	Spotanchor M12 with bituminous collar SS304. For intermediate NEO anchor. Toggle included.	Available from stock
LDV092	2,3 kg	Spotanchor M12 with PVC collar SS304. For intermediate NEO anchor. Toggle included.	Available from stock
LDV090	2,1 kg	Spotanchor M12 without collar SS304. For intermediate NEO anchor. Toggle included.	Available from stock
LDV022 LDV047	1,2 kg 1,3 kg	Set of 4 toggle bolts electroplated steel. Bold strength 10 kN. M10 x 330 mm M10 x 500 mm	Available from stock
FAS001 FAS004	0,25 kg 0,5 kg	Toggle bolt high strenght electroplated steel. M10 x 330 mm. Bolt strength 20 kN M10 x 500 mm. Bolt strength 20 kN	Available from stock
LDV071 LDV015	1,66 kg 1,8 kg	Corner plate for 90° curve for multipost SS304 Corner plate for angle between 45° to 140° for multipost SS304	Available from stock
FAS003	0,04 kg	Set of 4 retaining washers in rubber for toggle bolts. 1 per toggle bolt.	Available from stock
IDF004	1,5 kg	Fixing bracket for solar panels 3 x M6 SS304	Available from stock